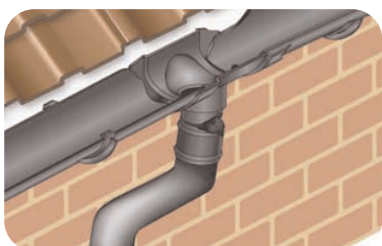


Life⁴ - Looking better for longer

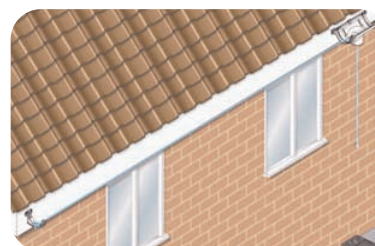
How to install a gutter



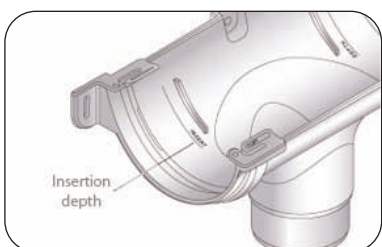
1. Remove old gutter carefully, remember – if the gutter is cast iron it will be heavy.



2. Fix the outlet in line with the drain. Gutter should be fitted no more than 50mm below the level of the roof tiles.



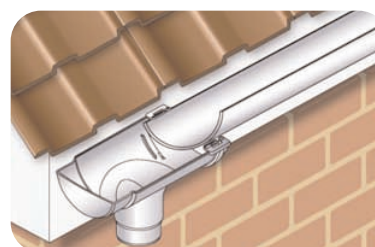
3. Fix a fascia bracket 150mm from each end of the gutter run. Using a string line between the two points, fix the remaining fascia brackets.



4. The gutter end must always line up with the insertion line shown inside the fitting. This allows the gutter to expand and contract in response to temperature changes.



5. Fix the fittings to the fascia before cutting the gutter. To measure how long the gutter needs to be, take the distance between insertion depth line.



6. Starting at the outlet, clip the gutter into the bracket. Tilt the gutter to fit under the back of the fitting and push down to clip under the front.

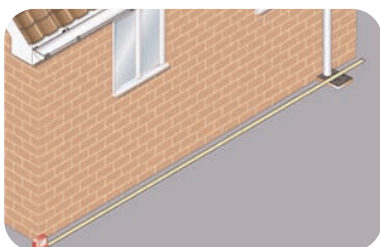


7. Fit a stopped at the end of the run (if you are not using a stopped outlet).

Life⁴ - Looking better for longer

Measuring up

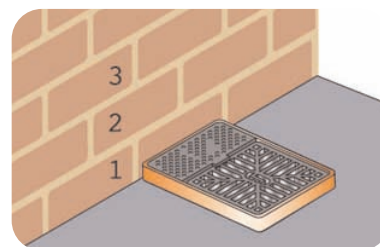
If you are replacing an old gutter, the downpipes should be positioned in the same place as the old system. If you are installing a gutter on a new extension or conservatory, the new gutter outlets should be placed as close as possible to an existing gully or drain. Pipes must discharge into a drain or soakaway.



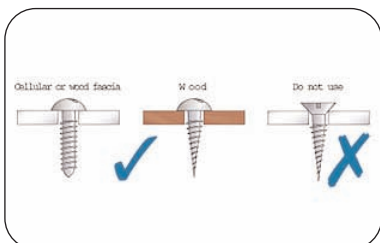
1. Measure length of the gutter that is required.



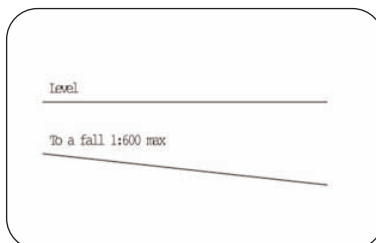
2. Make a note of where the outlet is.



3. Measure the length of downpipe required by counting bricks or measuring from a ladder.



4. Get the right screws! Round headed, zinc plated, sheradized or brass round head. 5mm x 25mm.



5. Gutter can be fitted level or to fall (slope), up to 1:600 or 10mm for every 6 metres.



6. Calculate how many corners you have. Gutter angle fittings are normally available in 90 and 45 degrees.



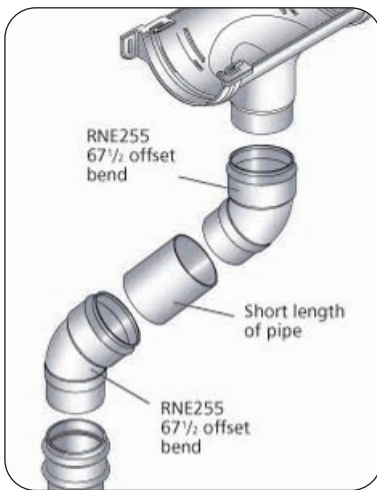
7. Now put a list together of the other fittings you need. If you have an outlet at the end of the gutter run, use a stopped outlet.



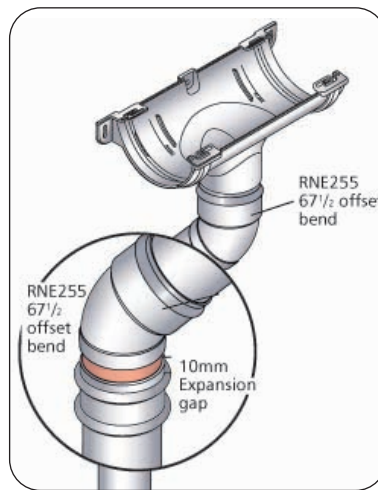
8. You will need to fix fascia brackets every metre and a downpipe clip every 1.8m. A fascia bracket should be fitted 150mm from one side of a fitting.

Life⁴ - Looking better for longer

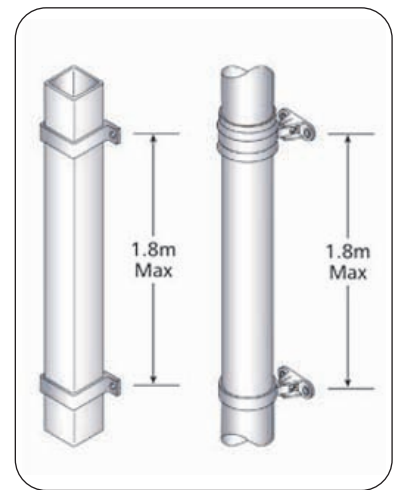
How to install the downpipe



1. It is likely that an offset will be required to bridge the gap between the fascia and the house wall, this is simply constructed and should fit snugly.



2. Make a note of where the outlet is.



3. Downpipe dips should be no more than 1.8m apart. Circular downpipes have 2 types of dip.